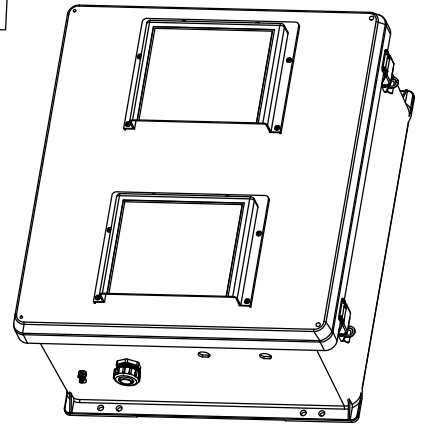
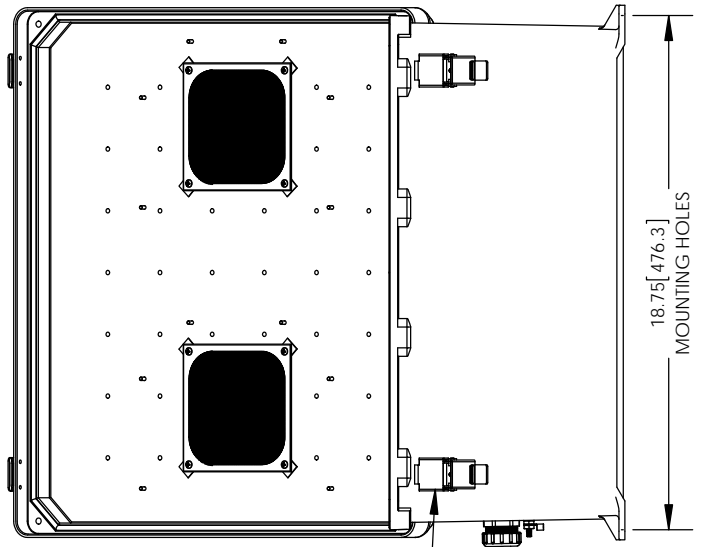
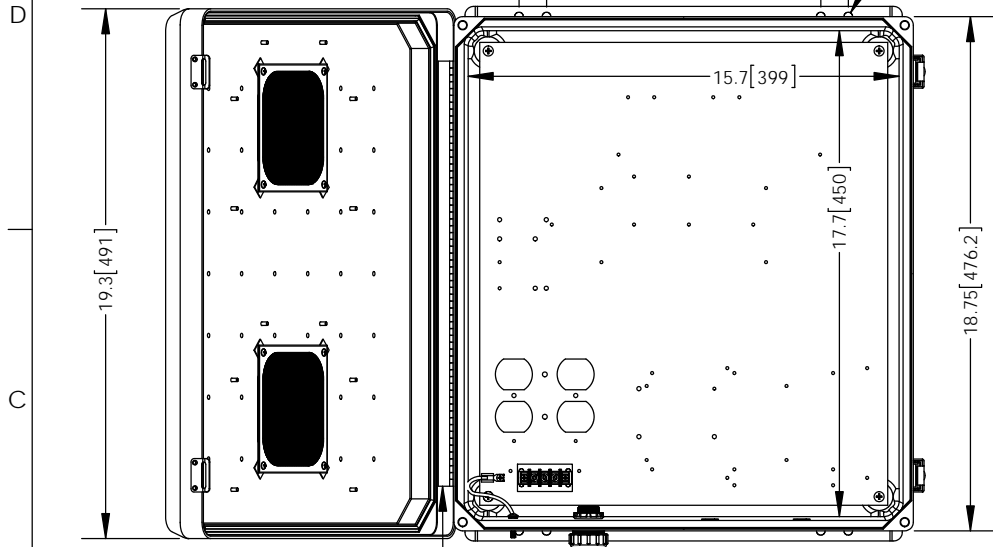
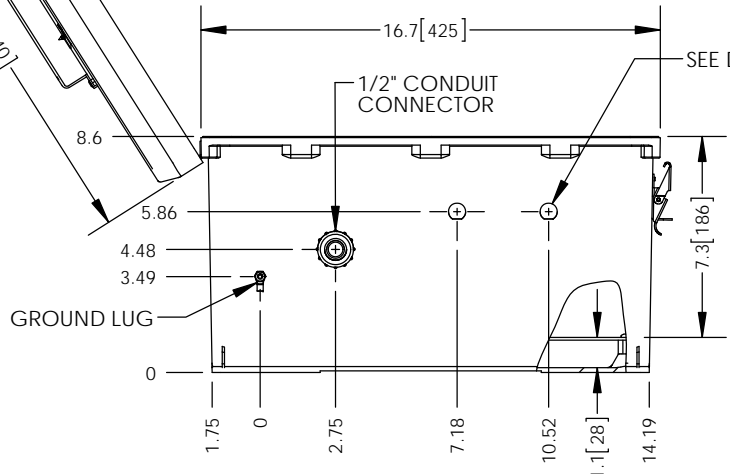
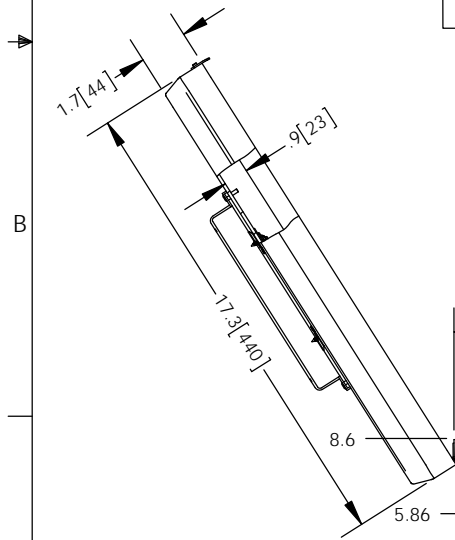
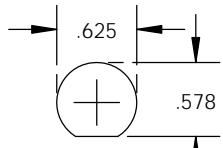


THE INFORMATION CONTAINED IN THIS DRAWING IS THE SOLE PROPERTY OF L-COM, INC. ANY REPRODUCTION IN PART OR WHOLE WITHOUT THE WRITTEN PERMISSION OF L-COM, INC. IS PROHIBITED.

REVISIONS			
REV	DESCRIPTION	DATE	APPROVED
A	RELEASED	04/29/13	B.PUCHASKI
-	-	-	-
-	-	-	-



- NOTE:  
 1- ENCLOSURE MATERIAL-GRAY (RAL7035) HOT MOLDED FIBERGLASS REINFORCED POLYESTER  
 2- SELF EXTINGUISHING AND HALOGEN FREE.  
 3- CABINETS ARE MAINTENANCE FREE AND CORROSION RESISTANT.  
 4- SHALL BE PACKAGED AS PER L-COM SPEC PKG-00070  
 5- ALL DIMENSIONS FOR REFERENCE ONLY.



RoHS Compliant ✓

UNLESS OTHERWISE SPECIFIED, DIMENSIONS ARE IN INCHES [mm]  DIMENSIONAL TOLERANCES: .X = ±.1 .XX = ±.01 .XXX = ±.005  ANGULAR TOLERANCES: ALL = ± 1°  PROJECTION	APPROVALS	DATE		45 BEECHWOOD DRIVE NORTH ANDOVER, MA 01845	
	DRAWN BY B.PUCHASKI	04/25/13			
	CHECKED BY P.PESA	04/25/13	CATEGORY	ENCLOSURES	
	APPROVED BY P.PESA	04/25/13	PRODUCT DESCRIPTION	NEMA ENCLOSURE 18 X 16 X 8 WEATHERPROOF 12VDC VENTED	
	CONFIGURATION DETAILS OF UNDIMENSIONED FEATURES MAY VARY	SIZE <b>A</b>	FSCM NO. <b>43321</b>	DWG. NO. <b>NB181608-50V</b>	REV. <b>A</b>
	COLOR VARIATIONS MAY OCCUR	SCALE: NONE	CAD FILE: NB181608-50V.SLDRW	SHEET 1 OF 1	